



恒天九五重工

CHTC JOVE HEAVY INDUSTRY CO., LTD

新品推荐
新一代大型打桩机



自支撑打桩机

Self-supporting pile driver

JVHZ62 自支撑打桩机

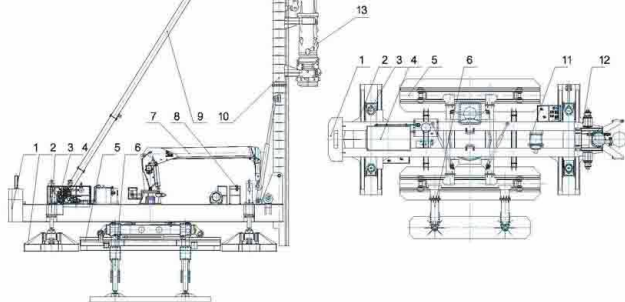
JVHZ62 Self-supporting pile driver

很多堤防工程面临软土堤基处理难的问题。预制管桩具有强度高、标准化生产、质量可靠、成桩质量好的特点。在堤防工程软土堤基处理中用预制管桩做抗滑桩。综合效益优势明显：由于河堤坡面是倾斜的，通用的预制管桩施工机械因体积大、笨重，工作面需要很宽，难以在河堤上施工，从而限制了预制管桩在堤防工程中软土堤基处理上的应用。自支撑打桩机克服了现有的预制管桩打桩机存在的上述缺陷，可利用自身打的工程桩做支撑点，再在桩上铺上钢板作为桩机的行走工作平台，解决了在河堤斜坡上施工的难题。

Many embankment projects always meet the difficulty about soft embankment. The precast pile is with high strength, standardized production, reliable quality and good piling quality. In the soft embankment project, using precast pile to do the anti-slide pile, the advantage is obvious. Because the embankment surface is not even, the precast piling machine is big, heavy and need a wide working area; it is difficult to work on the embankment, thus limited the application of precast pile in embankment foundation project. Embankment piling machine overcomes all the defects above which exists in traditional machines. It can use the piles which hammered by itself as a supporting point, and put steel board onto the piles as a machine working platform, to solve the problems of construction on the embankment.

- | | |
|---------|-------------------------------|
| 1- 配重 | 1 - Counter Weight |
| 2- 横移机构 | 2 - Sliding shift mechanism |
| 3- 升降机构 | 3 - Lifting mechanism |
| 4- 发动机 | 4 - Engine |
| 5- 纵移机构 | 5 - longitude shift mechanism |
| 6- 辅助支腿 | 6 - auxiliary supporting leg |
| 7- 随车吊机 | 7 - crane |

- | | |
|---------|------------------------|
| 8- 操作台 | 8 - operation platform |
| 9- 立柱斜撑 | 9 - supporting pole |
| 10- 立柱 | 10 - mast |
| 11- 主卷扬 | 11 - The main winch |
| 12- 副卷扬 | 12 - auxiliary winch |
| 13- 柴油锤 | 13 - diesel hammer |



JVHZ62 自支撑打桩机基本组成

The basic structures of JVHZ62 Self-supporting pile driver

底盘 Undercarriage

步履式行走底盘（包括横移机构、纵移机构），符合本机在堤坡斜面上自筑工作平台的特点。横移机构中部带圆弧，最大限度地增加底盘接地面积。

Walking Undercarriage (including a Sliding shift mechanism, a longitude shift mechanism), consistent with the features working on the embankment. The arc in the middle of the sliding shift mechanism ensures enough grounding.

立柱 Mast

油缸自起架立柱，起落架方便快捷。大三角斜撑结构，工作更平稳，更可靠。

Convenient lifting with cylinder; Stable and reliable triangle supporting structure.

机身平台 Main machine body

长机身平台结构，机身微偏即可调整桩位，一个机位不移机可满足三个桩位施工要求，使本机在自筑平台上施工更安全、更方便。

The long machine body, which could be rotated, can work on 3 different pile positions with no machine shift. It greatly ensures the safety and convenience.

产品主要特点 MAIN FEATURES

1. 原创性专利产品：专利号 201120341460.2 201110269494.X;
2. 适用于斜坡、水面、沼泽、淤泥、凹凸不平等复杂工作面打桩的大吨位桩机；
3. 工作装置采用筒式柴油锤或液锤，动力强劲；
4. 全液压驱动，动作灵活，操作方便；
5. 发动机、液压件等关键件采用国际名牌产品，高配置，长寿命，质量可靠；

1. original patent: Patent No. 201120341460.2 201110269494.X;
2. Applicable for slopes, water, marsh, sil, unsmooth of complex geography conditions.
3. adopts the barre type diesel hammer or hydraulic hammer, with strong power;
4. fully hydraulic drive, flexible movement, convenient operation;
5. engine, hydraulic parts and other key parts adopt world-famous brands with high configuration, long life and reliable quality;



主要技术参数
The main technical parameters

项 目 Item	参 数 Parameters			
外形尺寸 Dimensions (工作长×工作宽×运输高) (mm) (work length × work width × transport height)	13500×5500×4300			
所挂筒式柴油锤 (DFB2) diesel hammer	上活塞重量 Piston weight	6.2T		
	最大油耗 Maximum fuel consumption	柴油 diesel: 19.1L/h; 润滑油 lubricants: 3L/h		
立柱 Mast	柴油锤总重 Diesel hammer Total weight	约 13T		
	总高度 the total height	20m		
最大单桩长度 The max. single pile length	10m			
柴油发动机 Diesel engine	功率 power	60KW		
	转速	60KW/2200rpm(工作时最大调至2000rpm)		
	柴油箱容积 Fuel tank volume	165L		
行走速度 Walking speed	前进 forward shift	<3.98 m/min		
	后退 Back shift	<2.35m/min		
	左移 Left shift	<4.7m/min		
	右移 Right shift	<7.95 m/min		
回转角度 Turning angle	-20° ~ 20°			
支腿升降行程 Leg lift stroke	0.9 m			
主卷扬 Main winch	单绳拉力 single rope pull	5.5T		
	主卷扬升降速度 (吊柴油锤) The main winch lifting speed (hoisting diesel hammer)	6.8m/min		
副卷扬 Auxiliary winch	单绳拉力 single rope pull	3T		
	副卷扬升降速度 (2倍率) auxiliary winch lifting speed (2 rate)	12m/min		
液压系统 Hydraulic system	系统额定压力 system rated pressure		19MPa	
	副卷扬额定压力 auxiliary winch rated pressure		13MPa	
	主卷扬流量 (全流量时) the flow of the main winch (full flow)		128L/min (注: 全流量值发动机转速调 2000rpm) (PS: the value of the full-flow engine speed tune 2000rpm)	
	副卷扬流量 (全流量时) auxiliary winch flow (full flow)		64L/min (注: 全流量值发动机转速调 2000rpm) (PS: the value of the full-flow engine speed tune 2000rpm)	
	液 压 泵 Hydraulic pump	型号 Model	K3SP36C	
		工作油泵 work Oil Pump (双联泵) (Double pump)	排量 Displacement	32×2ml/r
		先导油泵 Pilot pump	最高压力 Maximum pressure	28Mpa
			型号 Model	CBT-F410-AI φ
	排量 Displacement		9.4ml/r	
	调定压力 set pressure		3.4Mpa	
整机重量 Total Weight	约 100T			

JVHZ62 自支撑打桩机外形尺寸
JVHZ62 Self-supporting pile driver
